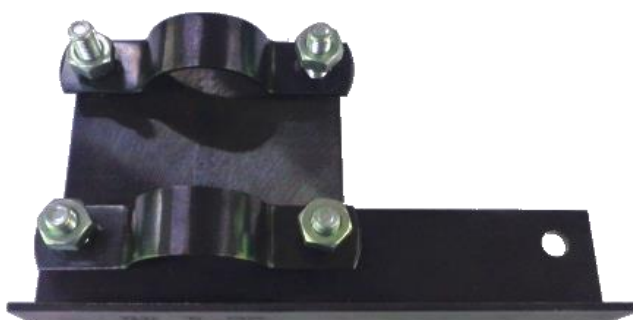
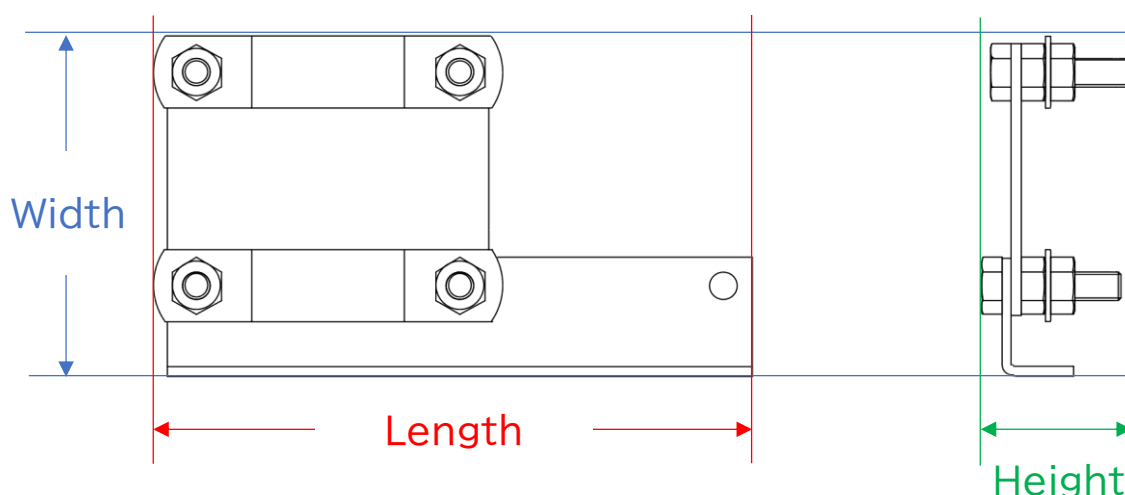


BC STAND



Specification:

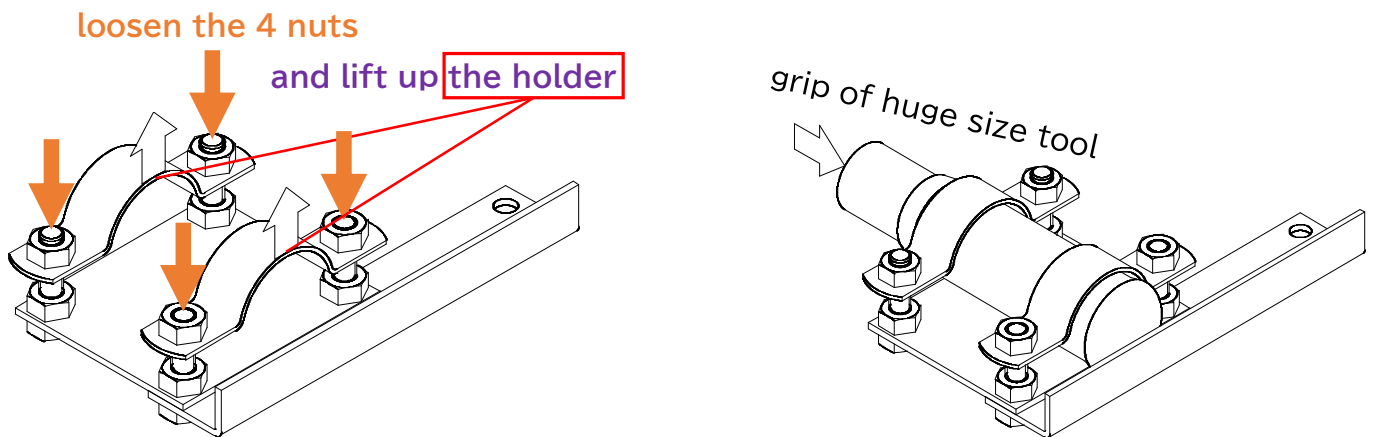
Item No.	Length × Width × Height(mm)	Weight(kg)
BC STAND	205 × 117 × 50	0.89



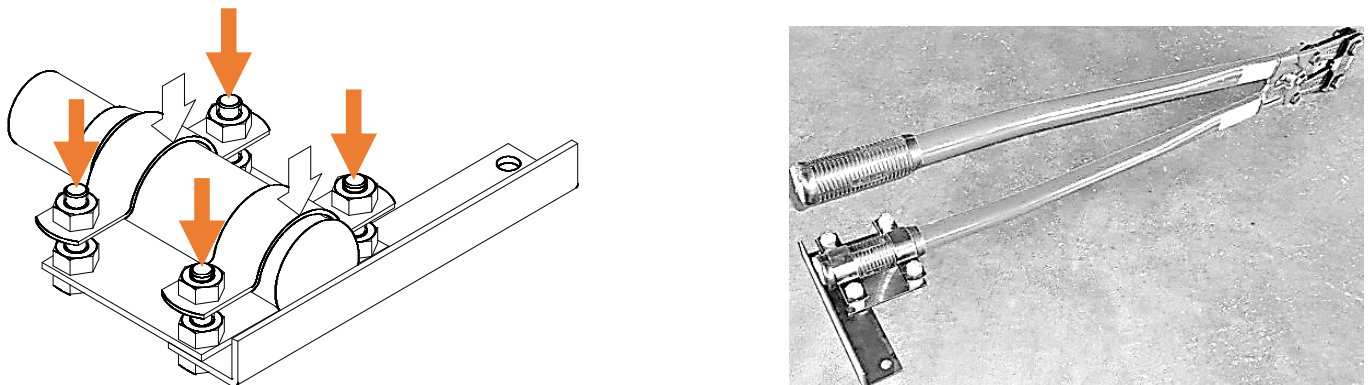
BC STAND can be attached on these tools from HIT:

- Bolt Cutters: BC 750 all series, BC 900 all series, BC 1050 all series
- Cable Cutters: SC 500-R, CC 30, CC 50
- Wire Rope Cutters: W 16, WC 14, WC 16, WC 20
- Hand swagers: CT 750-3, CT 750-3C, CT 900

How to use BC STAND



First, loosen the 4 nuts on the holder then lift the holder up and put the grip of huge size tool from HIT into the holder.



Place BC STAND with the handle on the ground and step on it. This can sure the operating will be stable, also change the direction of force when cutting materials.